



82.5mm Flanged Hyper Maxi Pressure/Vacuum Relief Valve - Flange drilled 4 slots with a 145.0/152.4mm min/max PCD. (See below for drilling details) Suitable for a set pressure range of *2 to 75 PSI (*0.14 to 5.17 Bar) *See Note under Specification, and a set vacuum range of 0.5"Hg to 26"Hg (0.02 to 0.88 Bar). Contact parts manufactured in 316 stainless steel. Fitted with Forty seals as standard.

Options - pressure only version. High pressure extended body version. Alternative seal materials are available.

Fort Vale offers a full range of threaded and flanged relief valves.

Specification

Weight	5.9 Kg *
Design Pressure (MAWP)	5.2 Bar (75 PSIG)
Test Pressure	10.1 Bar (147 PSIG)

*Weight varies according to valve specification.
Temperature range : Dependant upon seal material.

Design Approval by Lloyds Register of Shipping.
*Note: Scope of Approval covers valves set at 25 PSI (1.7 Bar) and above.

Valve Flow Data

Please contact sales@fortvale.com and request data sheet reference: 043/049/82/5/FLOW/NORM.
See below for de-rations.
Test certificates supplied as standard.

Drilling Details & Fittings

Specification	PCD	Weld-in Flange	Gasket
DIN65 PN10	145.0mm	176/3250	5005-332
3" Table D	146.1mm	176/3140	5005-013
DIN80 PN6	150.0mm	176/3158	5005-334
3" ASA 150	152.4mm	176/3125	5005-204

Associated Parts

Part No.	Associated Parts
921/07BBSP	0-100 PSI pressure gauge, bottom entry, brass internal parts
921/07RBSP	0-100 PSI pressure gauge, rear entry, brass internal parts
920/07BBSP	0-100 PSI pressure gauge, bottom entry, stainless steel internal parts
176/2920	Removable clamped gauge
311/3700	Stud kit (4 x M16)
311/3785	Bolt kit (cap screws) - 145/146mm PCD

De-rations

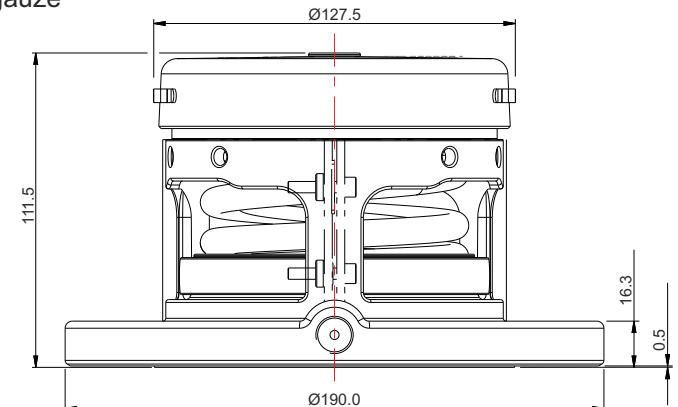
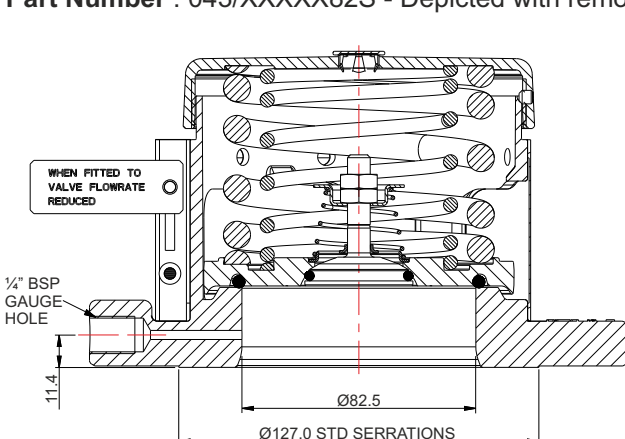
Description	De-ration
Valve with removable gauge (176/2920)	-5.01%

Range

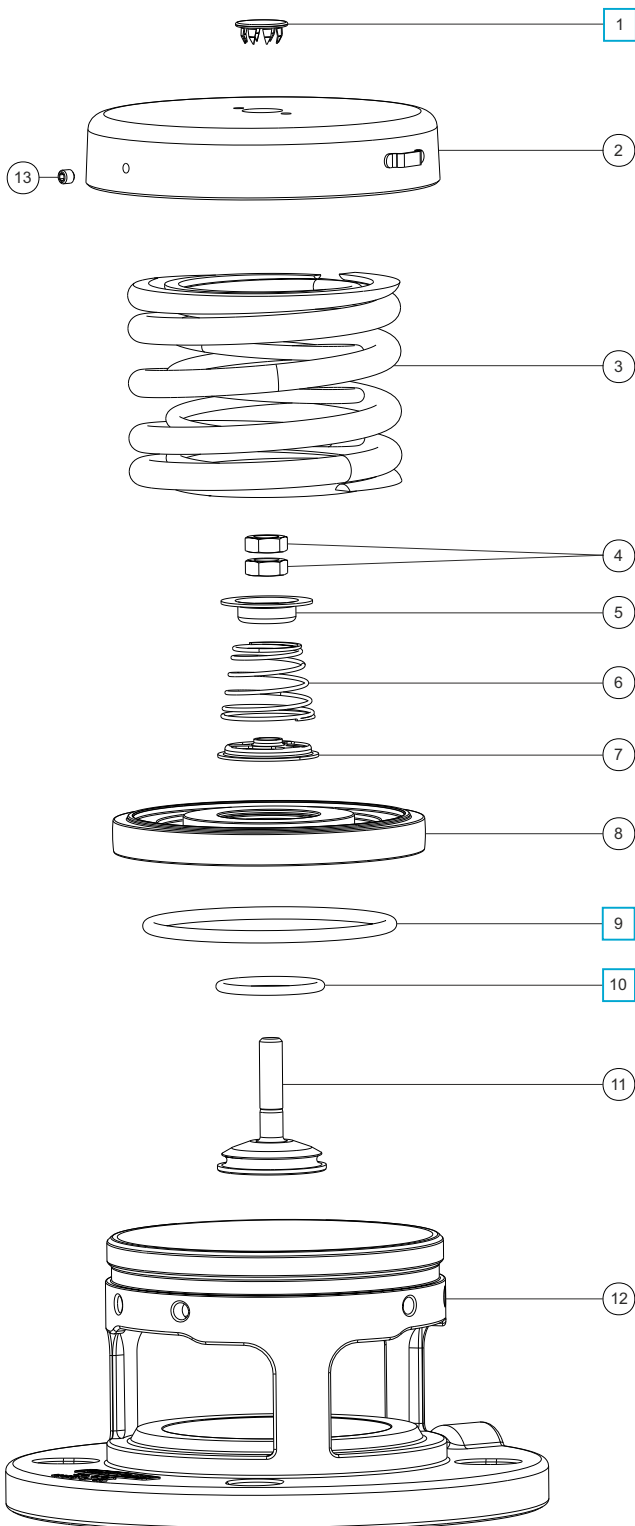
Part No.	Description
043/XXX0082S	82.5mm standard pressure only
043/XXXXX82S	82.5mm standard pressure/vacuum
049/XXX0082S	82.5mm extended pressure only
049/XXXXX82S	82.5mm extended pressure/vacuum

Fitting Details

Part Number : 043/XXXXX82S - Depicted with removable gauge



Parts drawing



Item	Description	Part No.
1	Stainless steel plug	10978 <input type="checkbox"/>
2	Top cap *See Note	1860/1008XX
3	Spring *See Table 1	610X-XXXX
4	Half nut (2)	5112-004
5	Vacuum spring pad	1860/0005
6	Vacuum spring *See Table 2	7104-XXX
7	Spring pad	10986/3
8	Pressure plate *See Note	1860/1071XX
9	Fortyt pressure O ring	ORB337F0 <input type="checkbox"/>
10	Fortyt vacuum O ring	5005-108H <input type="checkbox"/>
11	Vacuum poppet	10983V/3
12	Body	1860/19SL
13	Grubscrew	5121-001

NOTE : Part number varies according to specification.

SEAL KIT

Part number **043/1PVSK** contains all parts marked

TABLE 1

Common Pressure Settings	Pressure Spring Part No.
15.0 PSI (1.03 Bar)	6109-0674
31.8 PSI (2.19 Bar)	6104-0048 & 6104-0310
48.0 PSI (3.31 Bar)	6104-0485 (Pair)
53.8 PSI (3.71 Bar)	6104-0570 (Pair)
63.8 PSI (4.40 Bar)	6104-0665 (Pair)

Pressure springs are available from 2 PSI (0.14 Bar) to 75 PSI (5.17 Bar)

TABLE 2

Common Vacuum Setting	Vacuum Spring Part No.
6.2"Hg (0.21 Bar)	7104-012

Vacuum springs are available from 0.5"Hg (0.02 Bar) to 26"Hg (0.88 Bar)

Visual inspection and service (where necessary) is recommended on a 6 monthly basis.