

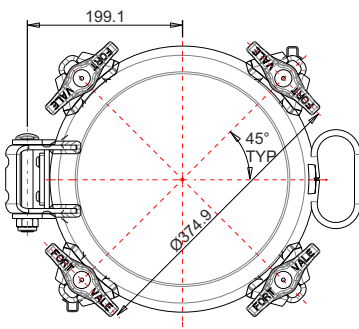
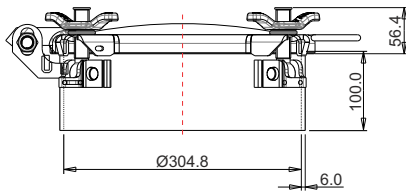


300mm Inspection Hatch - 4 point fastening. Double skin cover. 6mm thick x 100mm deep neckring. Contact parts manufactured in 316 stainless steel. Stainless steel swingbolts with naval brass handnuts. Seal supplied separately.

Options - 100mm, 150mm and 200mm deep neckrings. Stainless steel swingbolts with stainless steel handnuts. Profiled and compensated versions available.

Fitting Details

Example shown : 34C/4100100B



Specification

Weight	16 Kg	*See note
Design Pressure (MAWP)	4 Bar (58 PSI)	
Test Pressure	6 Bar (87 PSI)	
Design Temperature Range	-40°C to 200°C	(-40°F to 392°F)

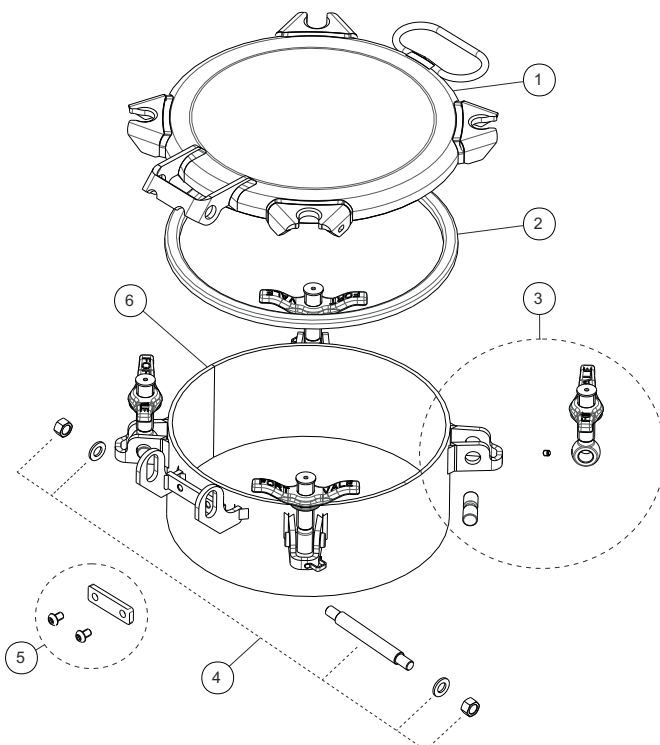
***NB** Above data will vary according to specification

Manlid cover 703/0600P approved to BS EN14025

Range

Part No.	Neckring description
34C/4100100B	6mm thick x 100mm deep
34C/4100150B	6mm thick x 150mm deep
34C/4100200B	6mm thick x 200mm deep

Parts drawing



Item	Description	Part No.
1	Cover *See note	703/0600P
2	Seal	See DS/MAN028
3	Swingbolt assembly (4)	496/X342
4	Hinge pin assembly	600/1060
5	Hinge kit *See note	135B
6	Neckring *See note	663/46XXX

***NB** Part numbers will vary according to specification

X in swingbolt assembly part number denotes handnut material:

1 = naval brass

5 = stainless steel

E = low profile stainless steel/brass composite