



PFA Lined 3" Clamped Butterfly Valve - left hand operated with TIR to handle and padlock facility. Valve manufactured in stainless steel with PFA body liner and fitted with a PFA lined closure plate and spindle assembly.

Options - PFA lined 2" clamped butterfly valve. Range of lined discharge valves and relief valves available - please contact our sales department for further details.

**Specification**

Weight	3.69 Kg
Design Pressure (MAWP)	4 Bar (58 PSI)
Test Pressure	6 Bar (87 PSI)
Design Temperature	-40°C to 200°C (-40°F to 392°F)

Approved to BS EN14432

**Range**

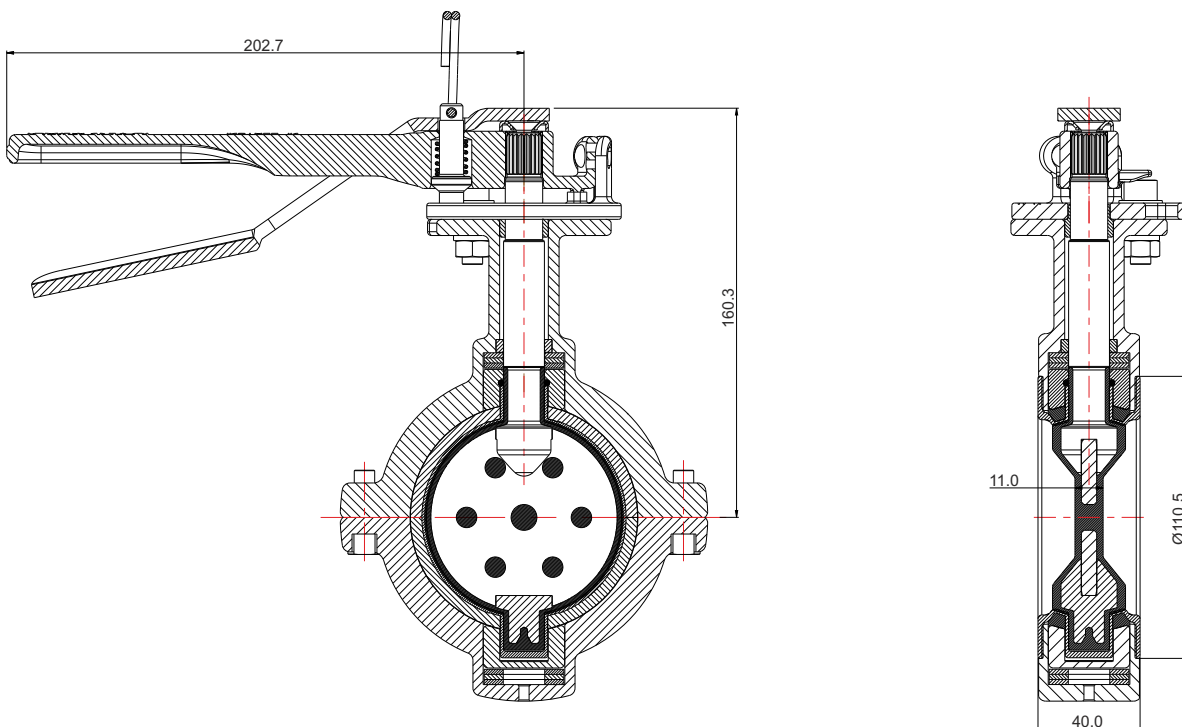
Part No.	Description
258/P700	PFA lined 2" clamped butterfly valve
358/P700	PFA lined 3" clamped butterfly valve

**Associated Parts**

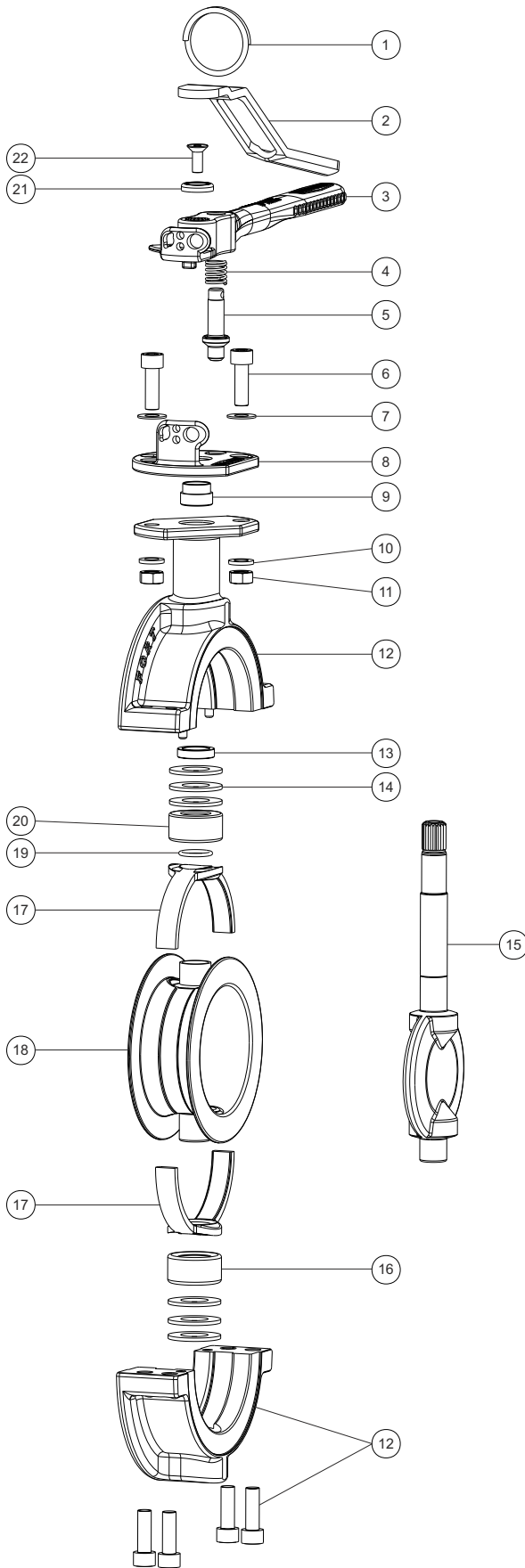
Part Number	Description
368/8047L	Halar lined 3" BSP outlet flange
10303SS	3" BSP stainless steel cap with chain
10329P/1	PTFE disc seal to suit 3" cap

**Fitting Details**

Part number : 358/P700



Parts Drawing



Item	Description	Part No.
1	Split ring	368/0011
2	Handle lever	368/9837
3	Handle	368/0050
4	Handle spring	368/0012
5	Handle location pin	368/0010
6	M8 cap screw (2)	5111-148
7	M8 plain washer (2)	5113-005
8	Stuffing clamp	368//0040
9	Stuffing clamp bush	368/0301
10	M8 spring washer (2)	5113-003
11	M8 full nut (2)	5112-001
12	Body assembly	358/P253
13	Top guide bush	358/P236
14	Belleville washer (6)	5113-052
15	PFA lined spindle/closure plate	358/P235
16	Bottom thrust bearing	358/P233/1
17	Backing rubber (2)	358/P257
18	PFA body seal	358/P250
19	Perfluoroelastomer o ring	5005-216PER
20	Stem seal housing	358/P233
21	Retaining washer	20370
22	M8 bolt	5111-030