



3" Clamped Butterfly Valve with Spring Return Pneumatic Actuator - valve connection to actuator to ISO 5211 / DIN 3337 standards. Counter-clockwise opening. Contact parts manufactured in 316 stainless steel with PTFE seal.

Options - a full range of manually operated valves are available.

Specification

Weight	14 Kg
Design Pressure (MAWP)	6 Bar (87 PSI)
Test Pressure	10 Bar (145 PSI)
Max Actuator Pressure	8 Bar (116 PSI)
Valve Design Temperature Range	-40°C to 200°C (-40°F to 392°F)
Actuator Design Temperature Range	-20°C to 80°C (-4°F to 176°F)
M16 clamping bolts torque setting	81 NM (60 LBF FT)

Operating Pressure Requirements

Start to open	3.1 Bar (45 PSI)
Fully open	3.8 Bar (55 PSI)

Butterfly valve approved to BS EN14432

Range

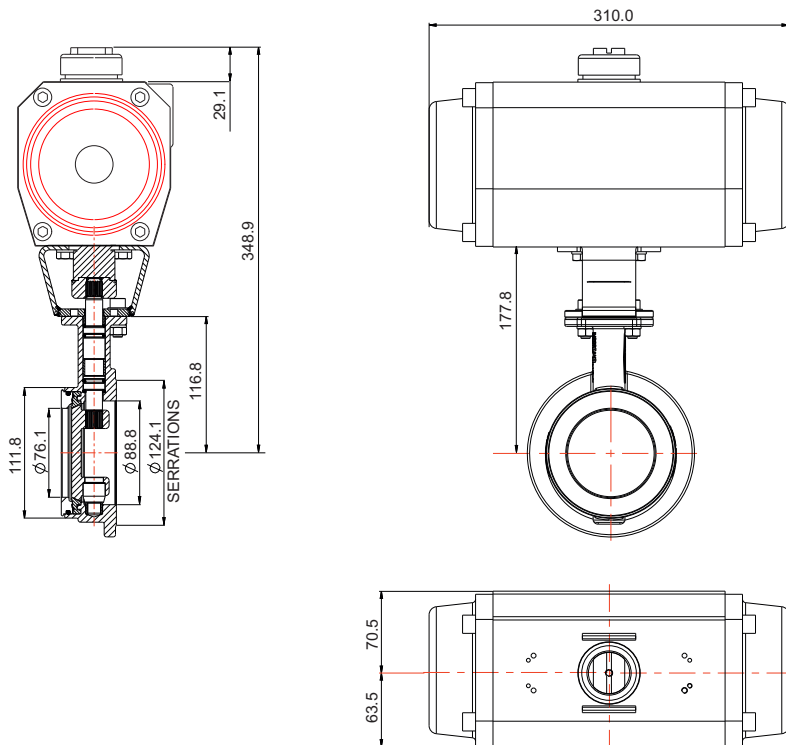
Part No.	Description
368/7000B	Standard manually operated butterfly valve
368/7000BPN	Butterfly valve with pneumatic actuator

Associated Parts

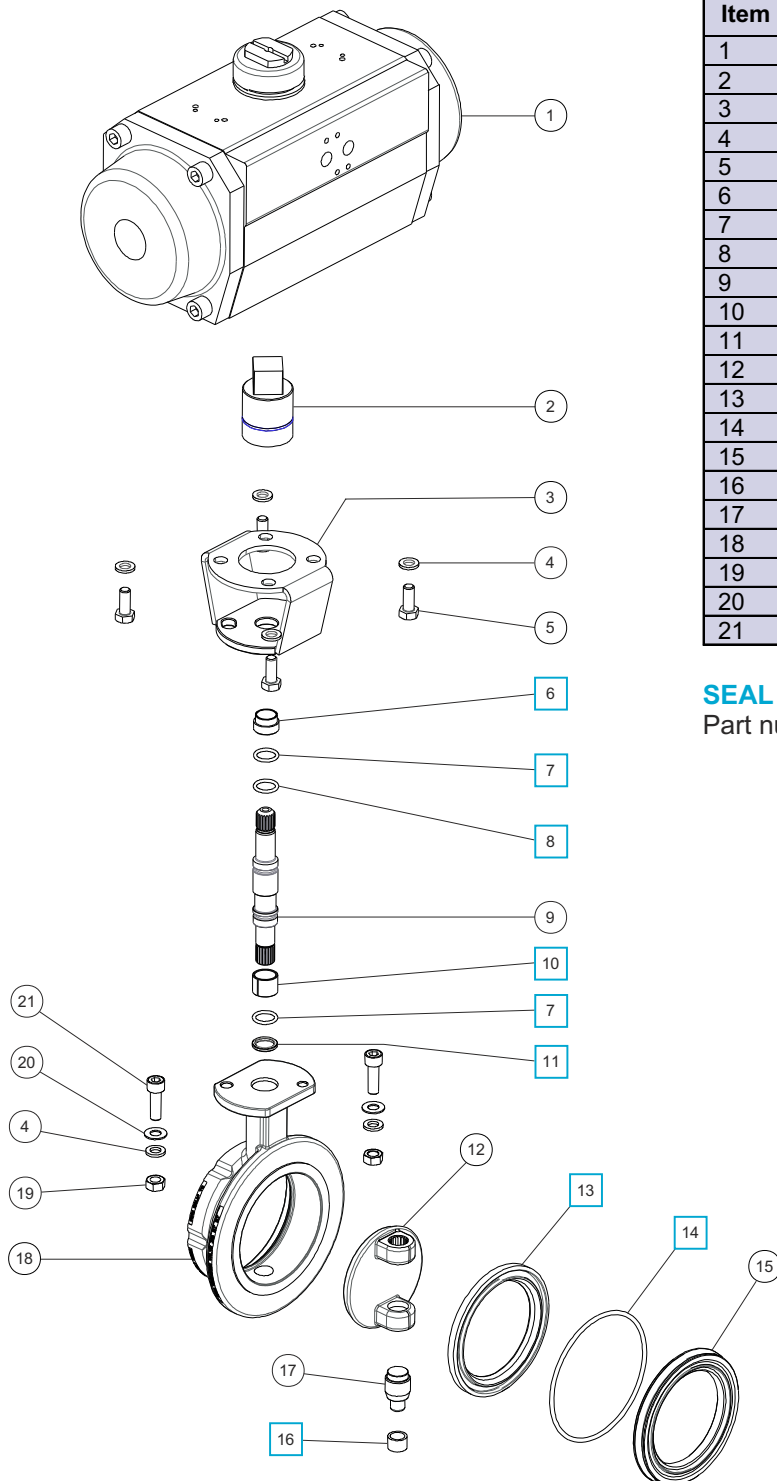
Part No.	Associated Parts
5005-049	CNAF/PTFE inlet gasket
5005-490	CNAF/PTFE outlet gasket
368/1100	Bolting kit
368/8047	3" BSP outlet flange
10303PS	3" BSP blank cap with PTFE washer
368/8058	3" Camlock outlet flange
90/DC300	3" Camlock blank cap
368/8049	3" NPT outlet flange
425/3250	3" NPT blank cap with PTFE washer

Fitting Details

Part Number : 368/7000BPN



Parts drawing



Item	Description	Part No.	
1	Spring return actuator	5127-115	
2	Drive adaptor assembly	368/2824	
3	Bridge assembly	368/2820	
4	M8 flat section spring washer (6)	5113-003	
5	M8 x 20mm hex head bolt (4)	5111-822	
6	Stuffing clamp bush	368/0301	<input type="checkbox"/>
7	PTFE O ring (2)	20363	<input type="checkbox"/>
8	Viton O ring	20361	<input type="checkbox"/>
9	Spindle	368/0200	
10	Split bearing	252/0517	<input type="checkbox"/>
11	PTFE spindle seat	368/0009	<input type="checkbox"/>
12	Closure plate	368/0400	
13	Main seal	368/0002	<input type="checkbox"/>
14	Nitrile O ring	5005-342	<input type="checkbox"/>
15	Seal clamp plate	368/0045	
16	Bottom bush	368/0035	<input type="checkbox"/>
17	Bottom spindle	368/0036	
18	Body	368/0150	
19	M8 full nut (2)	5112-001	
20	M8 plain washer (2)	5113-005	
21	M8 x 25mm socket capscrew (2)	5111-148	

SEAL KIT

Part number **368/00SK** contains all parts marked