

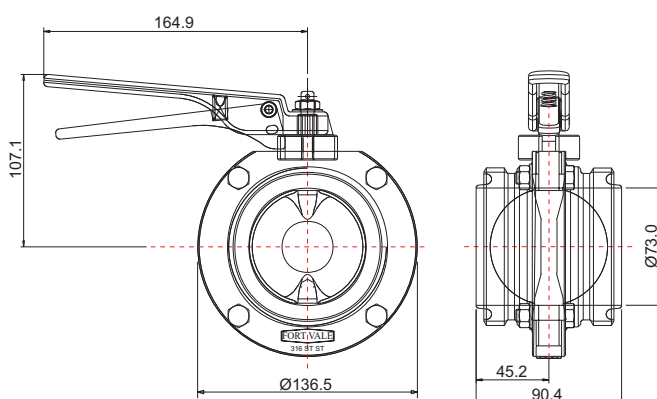


3" Concentric Disc Butterfly Valve - Suitable for hygienic applications. Inlet/outlet connections available include 3"BSP, 3"RJT, 3"Camlock, flanged and weld prepared. Single hand operation with TIR facility. Contact parts manufactured in 316 stainless steel fitted with Silicone seal as standard.

Options - Other seal materials available on request. Other connections available on request.

Fitting Details

Example shown : 358/160X



Associated Parts

Description	Part No.
3" BSP blank cap – seal separate	10303SS
3" RJT blank cap – seal separate	358/RJT3
3" Camlock cap – seal separate	90/DC300

Specification

Weight	4 Kg (See Note)
Design Pressure (MAWP)	4 Bar (58PSI)
Test Pressure	6 Bar (87 PSI)
Silicone Seal Design	
Design Temperature	-55°C to +200°C (-67°F to +392°F)

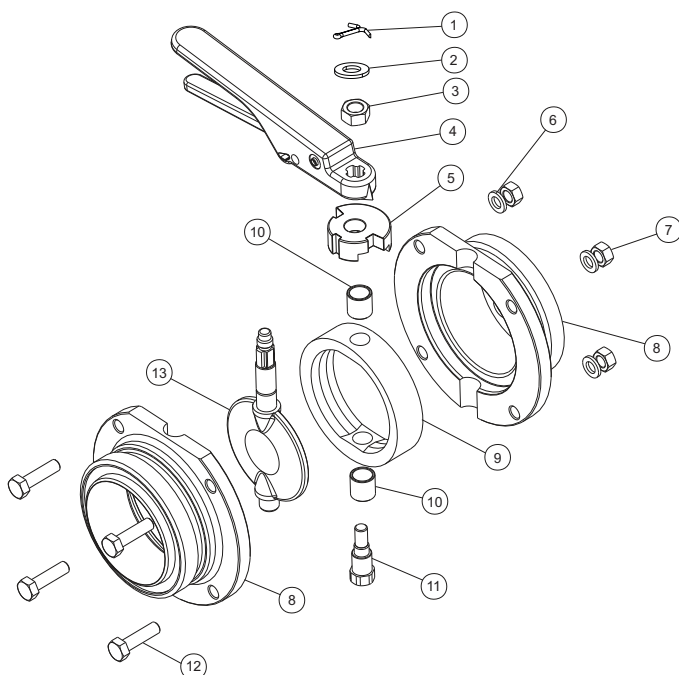
Note : Weight and seal design temperature varies

Range

Inlet	Outlet	Part No.
3" RJT	3" RJT	358/160X
3" RJT	3" BSP	358/1700
3" BSTD	3" RJT	358/1100
3" BSTD	3" BSP	358/0000
TW 80	3" BSP	358/120S
DIN 80	3" Camlock	358/3950X

"X" in part number indicates variable seal options.

Parts drawing



Item	Description	Part No.
1	3/32" split pin	5118-016
2	M10 plain washer	5113-009
3	M10 half nut	5112-032
4	Handle assembly	358/2010
5	Top flange	358/1605
6	Spring washer (4)	5113-003
7	M8 nut (4)	5112-001
8	Body half (2) – See Note	358/XXXX
9	Main seal	5005-58X
10	Spindle bearing (2)	358/3023
11	Lower bearing support	358/3024
12	M8 hex screw (4)	5111-038
13	Closure plate	358/3020C

"X" indicates that the part number varies according to the valve specification.